

**DUMPER V-1500****MECHANICAL STURDINESS & SIMPLE CONSTRUCTION**

- Simple construction
- Mechanical sturdiness
- Self loading shovel
- Payload 1500 Kg

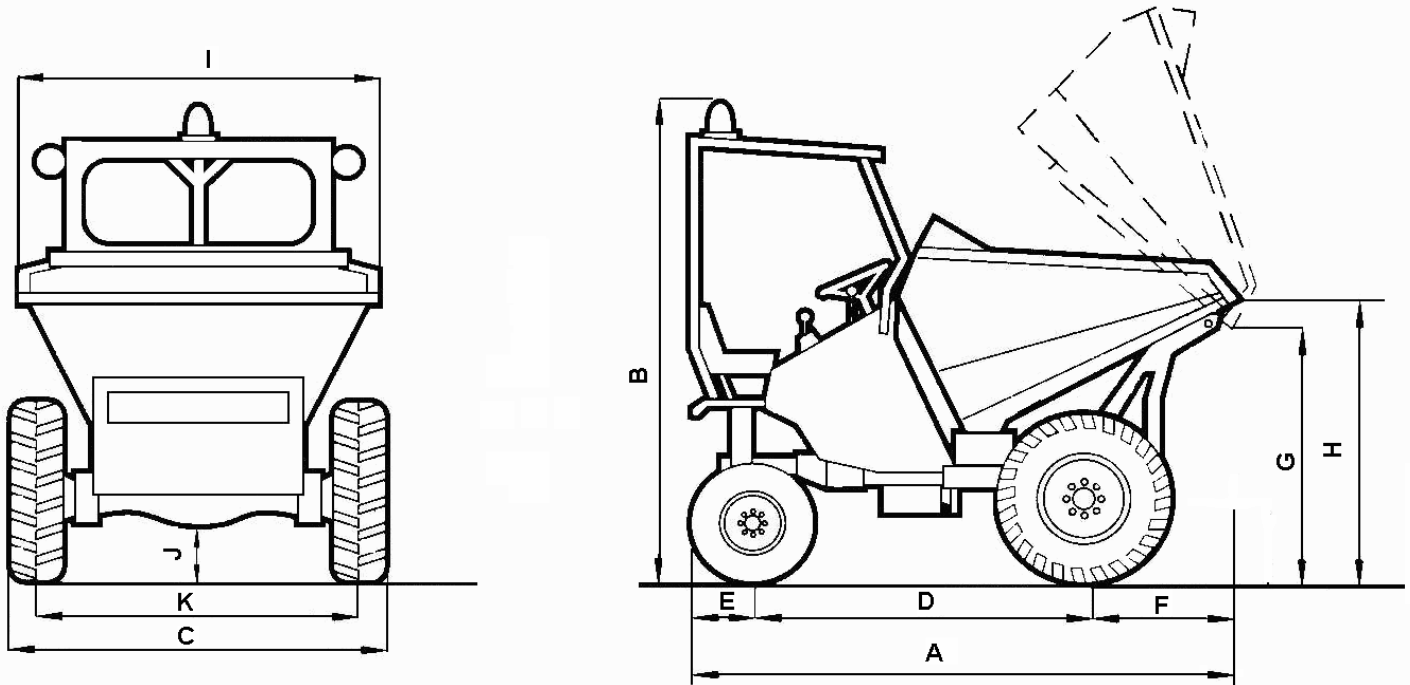
<b>Payload</b>	1500kg	
<b>Engine</b>	Mark	DEUTZ-DITER
	Model	D 909 L01
	Nº cylinders	1
	Max. power	11Kw (15CV) a 3000 r.p.m.
	Cooling system	Air cooled
<b>Transmission</b>	Gearbox with dry monodisc (185 mm) 2 wheel drive. Four forward speeds and four behind by reserve mechanical action lever	
<b>Brakes</b>	Hermetic. Mechanically operated in both wheels	
<b>Steering</b>	Hydraulic	
<b>Front wheels</b>	750x16	
<b>Rear wheels</b>	145-Sr 13	
<b>Unladen weight</b>	880kg	
<b>Internal turning circle</b>	2.4m	
<b>External turning circle</b>	3.4m	
<b>Max. speed</b>	17km/h	
<b>Gradient negotiable</b>	53 % asphalt / 40 % earth	
<b>Self loading shovel</b>	Optional	
<b>Self loading shovel capacity</b>	110l	

# DUMPER V-1500

MECHANICAL STURDINESS & SIMPLE CONSTRUCTION



## DIMENSIONS



A	2460mm	
B	2060mm	
C	1525mm	
D	1560mm	
E	285mm	
F	615mm	
G	Front unloading	430mm
	In height front unloading	1200mm
H	1140mm	
I	1445mm	
J	250mm	
L	1230mm	

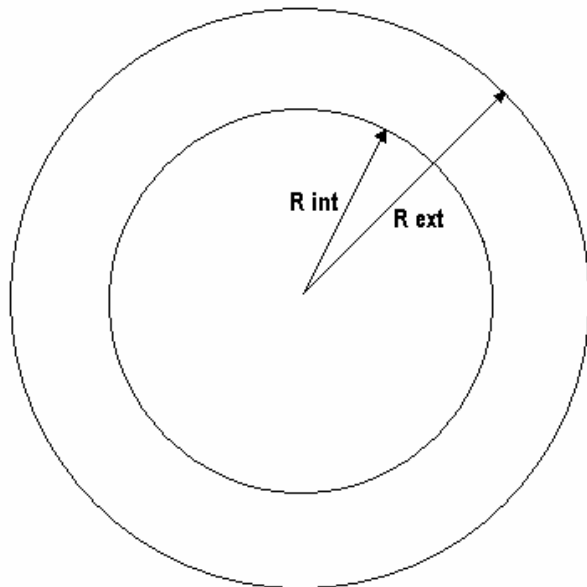


# DUMPER V-1500

MECHANICAL STURDINESS & SIMPLE CONSTRUCTION

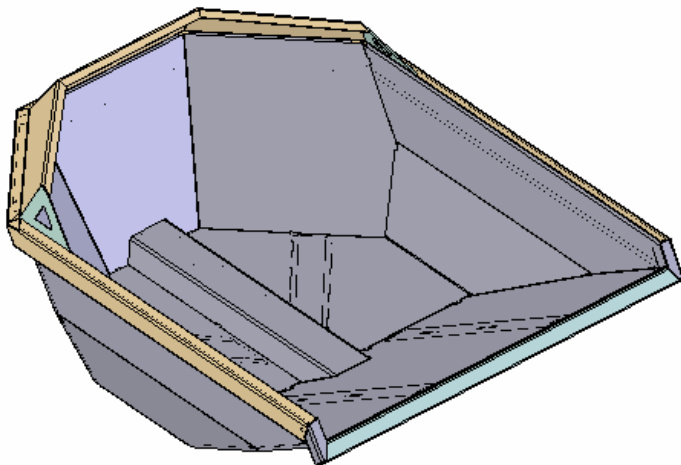


## TURNING CIRCLE



<b>External turning circle (m)</b>	<b>3,4</b>
<b>Internal turning circle (m)</b>	<b>2,4</b>

## HOPPER



<b>CAPACITY</b>	Water - 700 l
	Levelled - 950 l
	Heaped - 1250 l



# DUMPER V-1500

MECHANICAL STURDINESS & SIMPLE CONSTRUCTION



## ENGINE



### Engine type

**D 909 L 1**

Number of cylinders		1
Bore/Stroke	mm	95/100
Displacement	l	0.7
Compression ratio		17
Max. rated speed	rpm	3000
Mean piston speed	m/s	10.0

### Power ratings for construction equipment engines

Power ratings for automotive <sup>1)</sup> and industrial engines	kW	11
at speed	rpm	3000
Mean effective pressure	bar	6.21
Intermittent operation	kW	10.5
at speed	rpm	3000
Mean effective pressure	bar	5.93
Max. torque	Nm	38.2
at speed	rpm	2000
Minimum idle speed	rpm	850
Specific fuel consumption <sup>3)</sup>	g/kWh	236
Weight to DIN 70020, part 7A <sup>4)</sup>	kg	106



C/ Arnao, 15 - Polígono Industrial de Barres  
33794 - Castropol - Asturias  
España  
Tlf: 985 471 063  
Fax: 985 472 709  
[www.uromac.com](http://www.uromac.com)