



- Antiskating TWIN LOCK system
- Hydrostatic system
- Self loading shovel
- Articulated Chasis

Type	Antiskating Twin Lock system
Payload	3000 kg
Engine	YANMAR 3TNV88-DSA
	Water cooled
	27,1 kW a 3000 rpm
Transmission	Hydrostatic TWIN LOCK automotive 4x4
Brakes	Hydrostatic
Steering	Hydraulic
Front wheels	10.0/75-15.3
Rear wheels	10.0/75-15.3
Unladen weight	2520 kg
Internal turning circle	2.4m
External turning circle	4.2m
Max. speed	20 km/h
Gradient negotiable	50% asphalt / 36 % earth
Self loading shovel capacity	220 l

DUMPER VGA - 3000

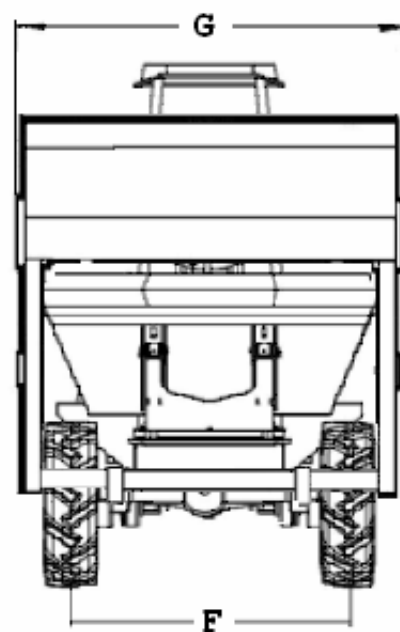
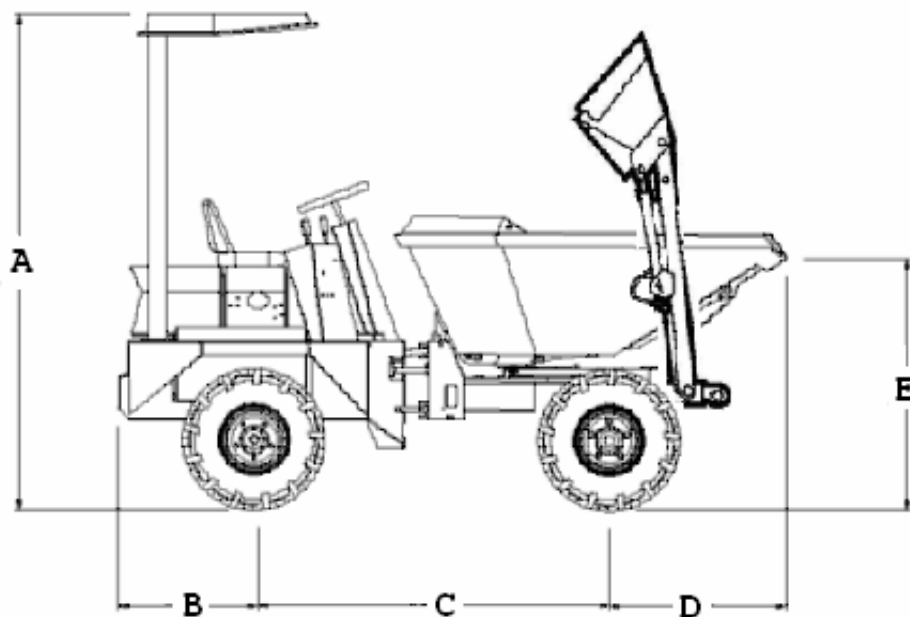
ANTISKATING TWIN LOCK SYSTEM

DUMPER VGA-3000

ROTATORY TIPPING AND SELF LOADING SHOVEL



DIMENSIONS



A	2500 mm
B	1060 mm
C	1955 mm
D	800 mm
E	1400 mm
F	1510 mm
G	2200 mm

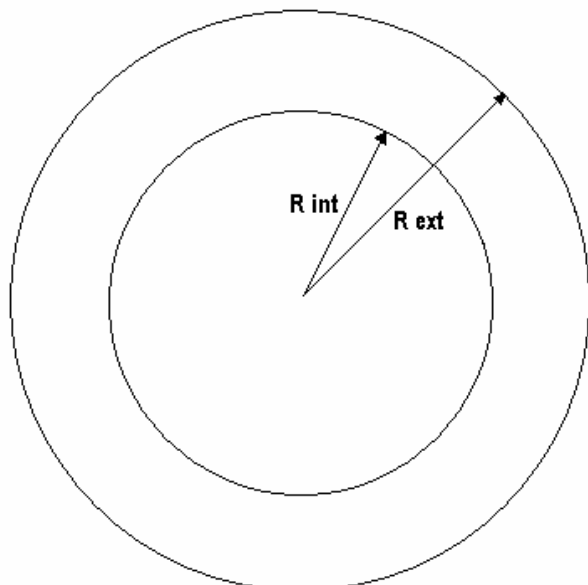


DUMPER VGA-3000

ROTATORY TIPPING AND SELF LOADING SHOVEL

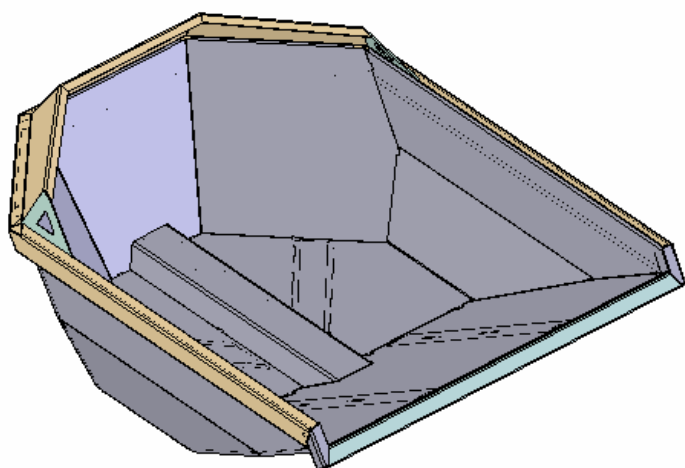


TURNING CIRCLE



External turning circle (m)	4,2
Internal turning circle (m)	2,4

HOPPER



CAPACITY	Water - 1350 l
	Levelled - 1650 l
	Heaped - 1850 l
ROTARY TIPPING	180°



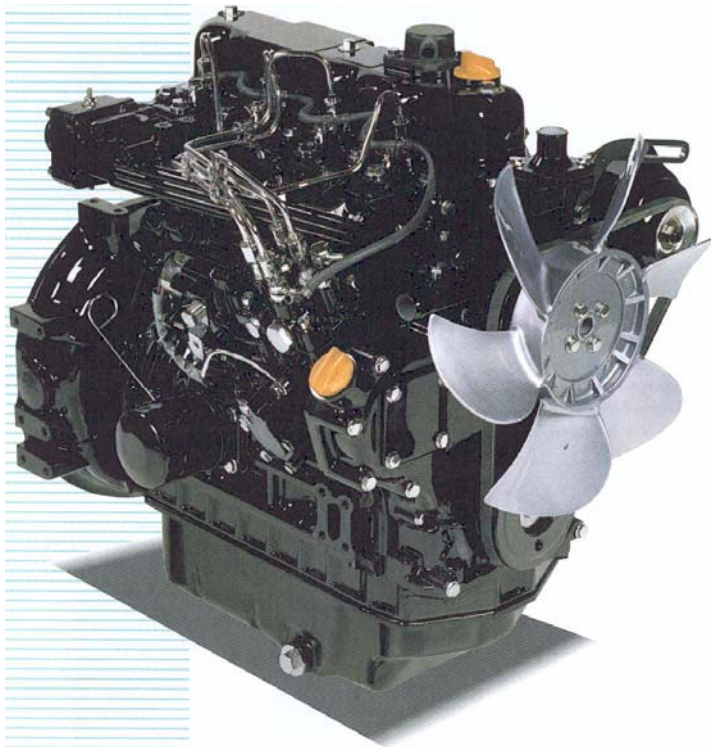
DUMPER VGA-3000

ROTATORY TIPPING AND SELF LOADING SHOVEL



ENGINE

3TNV88-DSA



YANMAR

- Noise reduction
- Emission reduction
- Direct injection
- Water cooled

DIESEL ENGINES
TNV

Number of cylinders	3
Combustion type	Direct injection
Compression ratio	19:1
Displacement (cc)	1642
Power (kW)	27,1 a 3000 rpm
Cooling system	Water
Torque (Nm)	99 – 107.9
Weight (kg)	138
Starting system	Electric



DUMPER VGA-3000

ROTATORY TIPPING AND SELF LOADING SHOVEL



HYDROSTATIC PUMP

Linde



Displacement	Nominal displacement (cm ³ / rev)	55
	Max. displacement (cm ³ / rev)	54.8
Speed	Max. continuous speed (rpm)	3300
	Max. alternative speed (rpm)	3700
Pressure	Max. continuous pressure (bar)	250
	Max. pressure of work (bar)	420
	Max. alternative pressure (bar)	500
Torque	Continuous input torque (Nm)	220
	Max. input torque (Nm)	350
Power	Continuous power (kW)	75
	Max. power (Kw)	121
Weight	Weight (Kg)	44

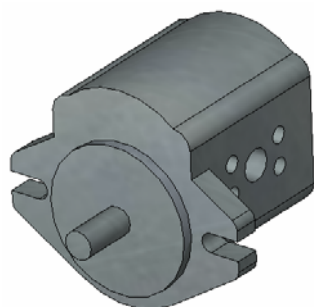


DUMPER VGA-3000

ROTATORY TIPPING AND SELF LOADING SHOVEL



GEAR PUMP



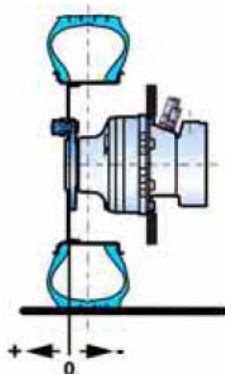
DYNAMATIC TECHNOLOGIES LIMITED

Displacement	20 cc/rev
Max. pressure	200 bar
Peak pressure	250 bar
Min. rpm	650 rpm
Average rpm	2500 rpm
Max. rpm	3500 rpm

HYDRAULIC ENGINE



Displacement (cm³/rev)	398
Torque (Nm)	633
Max. power (kW)	22
Max. speed (rev/min)	208
Max. pressure (bar)	400



C/ Arnao, 15 - Polígono Industrial de Barres
33794 - Castropol - Asturias
España
Tlf: 985 471 063
Fax: 985 472 709
www.uromac.com