

**DUMPER VH-2500 MOT. RUEDA**  
ANTISKATING TWIN LOCK SYSTEM

- Hydrostatic TWIN LOCK automotive 4x4
- Antiskating system
- Self loading shovel
- Artitulated Chasis

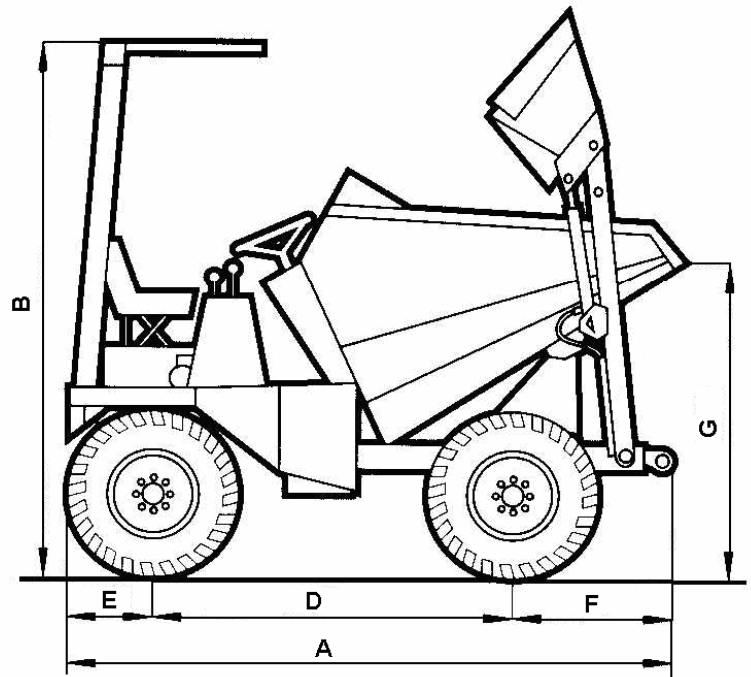
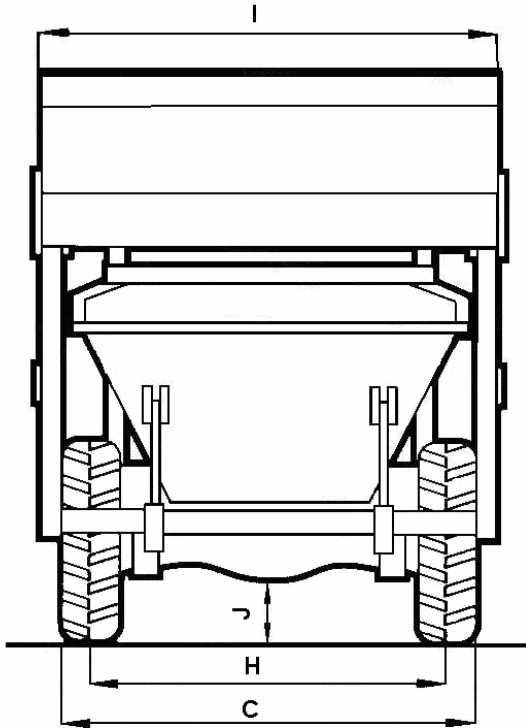
| <b>Type</b>                         | Antiskating Twin Lock system         |
|-------------------------------------|--------------------------------------|
| <b>Payload</b>                      | 2500 kg                              |
| <b>Engine</b>                       | YANMAR 3TNV88-DSA                    |
|                                     | Water cooled                         |
|                                     | 27,1 kW a 3000 rpm                   |
| <b>Transmission</b>                 | Hydrostatic TWIN LOCK automotive 4x4 |
| <b>Brakes</b>                       | Hydrostatic                          |
| <b>Steering</b>                     | Hydraulic                            |
| <b>Front wheels</b>                 | 10.0/75-15.3                         |
| <b>Rear wheels</b>                  | 10.0/75-15.3                         |
| <b>Unladen weight</b>               | 2300 kg                              |
| <b>Internal turning circle</b>      | 2.4m                                 |
| <b>External turning circle</b>      | 4.2m                                 |
| <b>Max. speed</b>                   | 20 km/h                              |
| <b>Gradient negotiable</b>          | 50% asphalt / 36 % earth             |
| <b>Self loading shovel capacity</b> | 220 l                                |

# DUMPER VH-2500 MOT. RUEDA

## ANTISKATING TWIN LOCK SYSTEM



### DIMENSIONES



|   |         |
|---|---------|
| A | 3450mm  |
| B | 2500mm  |
| C | 1740mm  |
| D | 1875 mm |
| E | 1000mm  |
| F | 540mm   |
| G | 1360mm  |
| H | 1485mm  |
| I | 1855mm  |

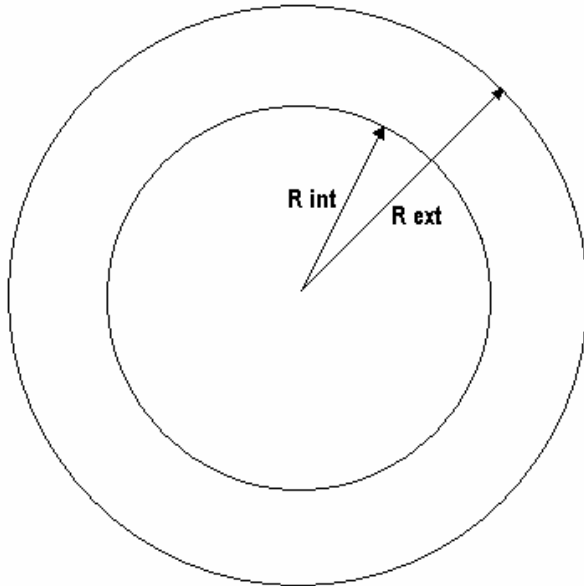


# DUMPER VH-2500 MOT. RUEDA

## ANTISKATING TWIN LOCK SYSTEM

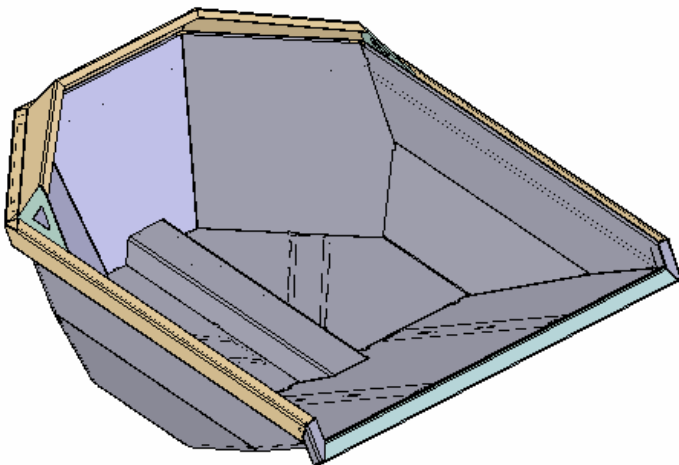


### TURNING CIRCLE



|                                    |            |
|------------------------------------|------------|
| <b>External turning circle (m)</b> | <b>4,2</b> |
| <b>Internal turning circle (m)</b> | <b>2,4</b> |

### HOPPER



|                 |                   |
|-----------------|-------------------|
| <b>CAPACITY</b> | Water - 1250 l    |
|                 | Levelled - 1500 l |
|                 | Heaped - 1700 l   |



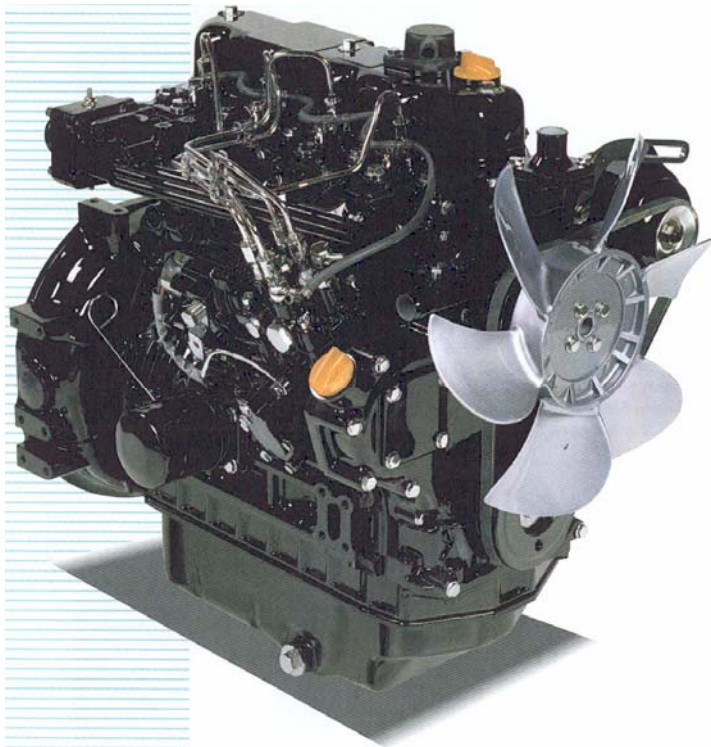
# DUMPER VH-2500 MOT. RUEDA

## ANTISKATING TWIN LOCK SYSTEM



### ENGINE

3TNV88-DSA



**YANMAR**

- Noise reduction
- Emission reduction
- Direct injection
- Water cooled

**DIESEL ENGINES**  
**TNV**

|                     |                  |
|---------------------|------------------|
| Number of cylinders | 3                |
| Combustion type     | Direct injection |
| Compression ratio   | 19:1             |
| Displacement (cc)   | 1642             |
| Power (kW)          | 27,1 a 3000 rpm  |
| Cooling system      | Water            |
| Torque (Nm)         | 99 – 107.9       |
| Weight (kg)         | 138              |
| Starting system     | Electric         |



# DUMPER VH-2500 MOT. RUEDA

## ANTISKATING TWIN LOCK SYSTEM



HYDROSTATIC PUMP

*Linde*



|                     |  |      |
|---------------------|--|------|
| <b>Displacement</b> | Nominal displacement (cm <sup>3</sup> / rev) | 55   |
|                     | Max. displacement (cm <sup>3</sup> / rev)    | 54.8 |
| <b>Speed</b>        | Max. continuous speed (rpm)                  | 3300 |
|                     | Max. alternative speed (rpm)                 | 3700 |
| <b>Pressure</b>     | Max. continuous pressure (bar)               | 250  |
|                     | Max. pressure of work (bar)                  | 420  |
|                     | Max. alternative pressure (bar)              | 500  |
| <b>Torque</b>       | Continuous input torque (Nm)                 | 220  |
|                     | Max. input torque (Nm)                       | 350  |
| <b>Power</b>        | Continuous power (kW)                        | 75   |
|                     | Max. power (Kw)                              | 121  |
| <b>Weight</b>       | Weight (Kg)                                  | 44   |

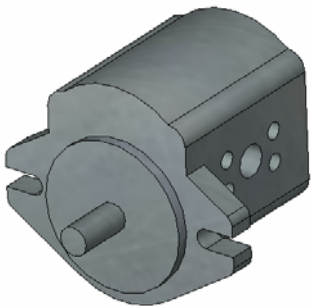


# DUMPER VH-2500 MOT. RUEDA

## ANTISKATING TWIN LOCK SYSTEM



### GEAR PUMP



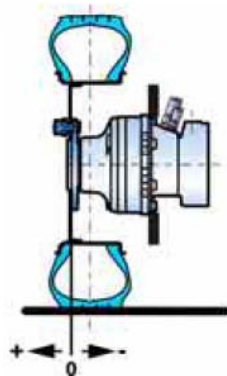
DYNAMATIC TECHNOLOGIES LIMITED

| Displacement  | 10,9 cc/rev |
|---------------|-------------|
| Max. pressure | 200 bar     |
| Peak pressure | 250 bar     |
| Min. rpm      | 650 rpm     |
| Average rpm   | 2500 rpm    |
| Max. rpm      | 3500 rpm    |

### HYDRAULIC ENGINE



| Displacement (cm <sup>3</sup> /rev) | 398 |
|-------------------------------------|-----|
| Torque (Nm)                         | 633 |
| Max. power (kW)                     | 22  |
| Max. speed (rev/min)                | 208 |
| Max. pressure (bar)                 | 400 |



C/ Arnao, 15 - Polígono Industrial de Barres  
33794 - Castropol - Asturias  
España  
Tlf: 985 471 063  
Fax: 985 472 709  
[www.uromac.com](http://www.uromac.com)